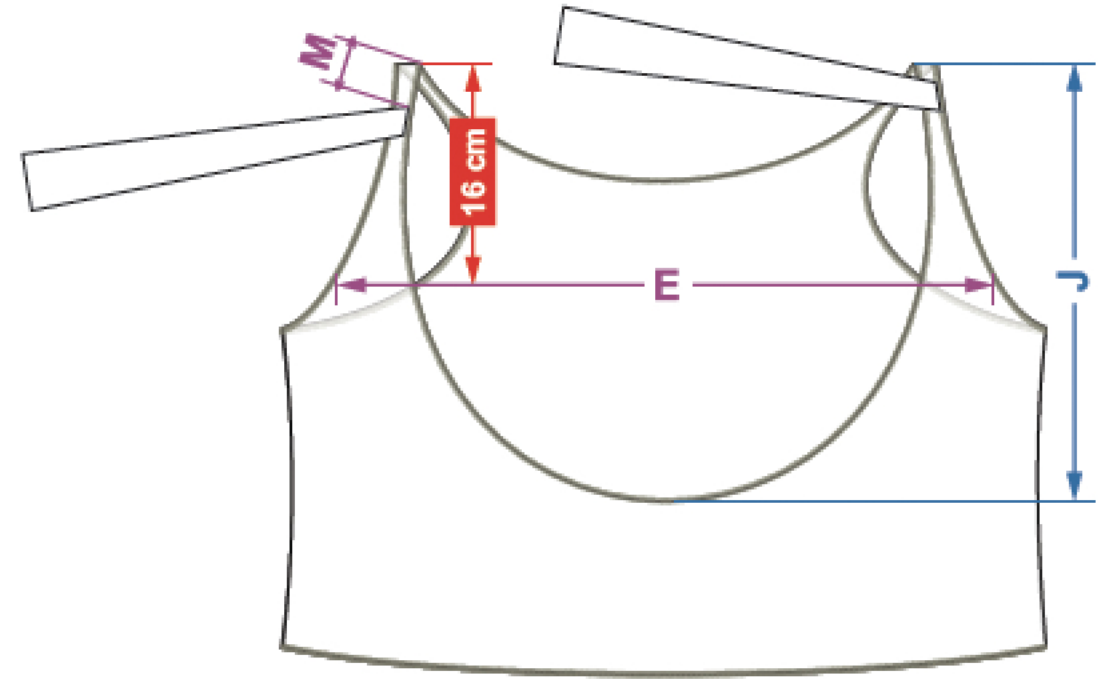
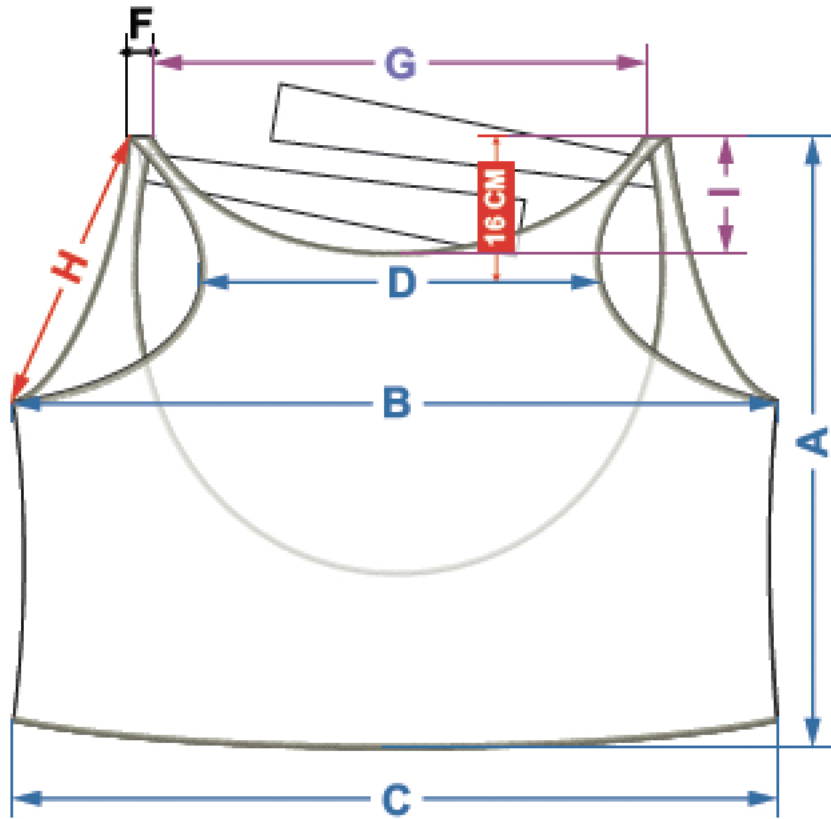


STYLE : SHAKI(woman)

REF :



SIZE	XS	S	M
A Front length - HPS	50	52	54
B 1/2 Chest	58	61	64
C 1/2 Bottom	61	64	67
D Front Breath (Across) Below 16cm	28	29.5	31
E Back Breath (Across) Below 16cm	42	43.5	45
F Shoulder	2.5	2.5	2.5
G Neckline edge to edge	32	32.5	33
H Armhole straight	29	30	31
I Front Neck Drop frm image Line	14	14.5	15
J Back Neck Drop frm image Line	42	42	42
K S/F Lace Length	42	42	42
L S/F Lace Width (Top/Bottom)	5/12	5/12	5/12
M Lace Joint From HPS	4	4	4
N Stitching (Overlock)	0.4	0.4	0.4